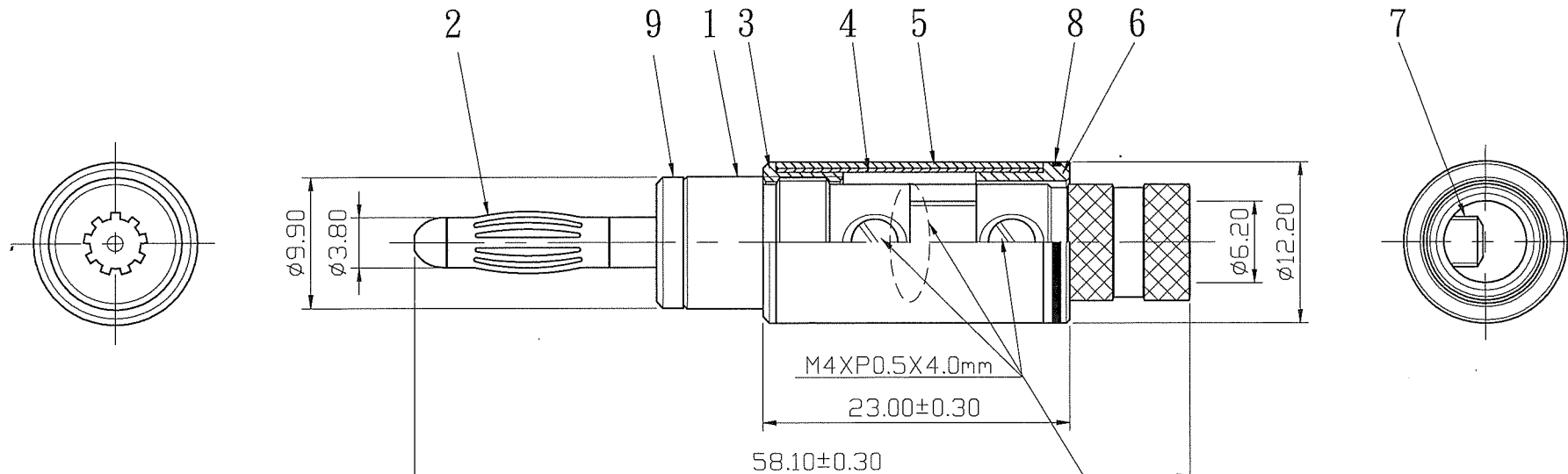


REMARK : RoHS REQUIREMENT APPLIED
(符合RoHS)

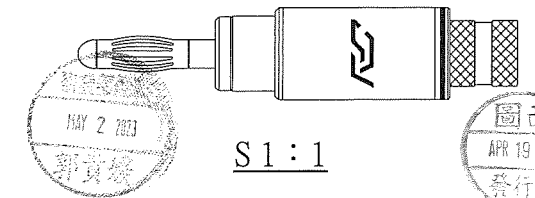


FOR REFERENCE ONLY



僅供參考

LOGO PAINTING : WHITE
THE ACTUAL DIRECTION AND POSITION OF THE LOGO, WHICH WILL NOT ALIGN WITH TOP AREA SAME AS THE DRAWING IMAGE.



S1:1



NO.	Description	Unit	Materials	Finish	Drawing No.
9	headlock	1	brass	gold	
8	color ring	1	dripping	red/black/blue white/yellow/green	
7	screw	2	brass	gold	
6	sleeve	1	brass	gold	
5	shell	1	black carbon fiber	nature	
4	tube	1	brass	nature	
3	headlock	1	brass	gold	
2	contact pin	1	beryllium copper	gold	
1	body	1	brass	gold	

DIMENSIONS ARE IN MILLIMETERS

UNLESS OTHERWISE SPECIFIED TOLERANCES (一般公差)
 0.5~6 = ±0.2
 >6~30 = ±0.4
 >30~120 = ±0.6
 >120~315 = ±1
 >315~1000 = ±1.6
 ANGLES(角度) = ±5°

CHECKED

DRAWN
Weilin

DATE
2023. 04. 19



雅鈦企業有限公司
Aec Connectors Co., Ltd.

TITLE

BANANA PLUG

DRAWING NO.

K998-BP-4032BKFGG(BeCu)-RD/BK/BE/WE/YW/GN-6.2

FILE NO. DRAWING/CUSTOMER/AEC-K998/K998-BP-4032BKFGG(BeCu)-RD/BK/BE/WE/YW/GN-6.2