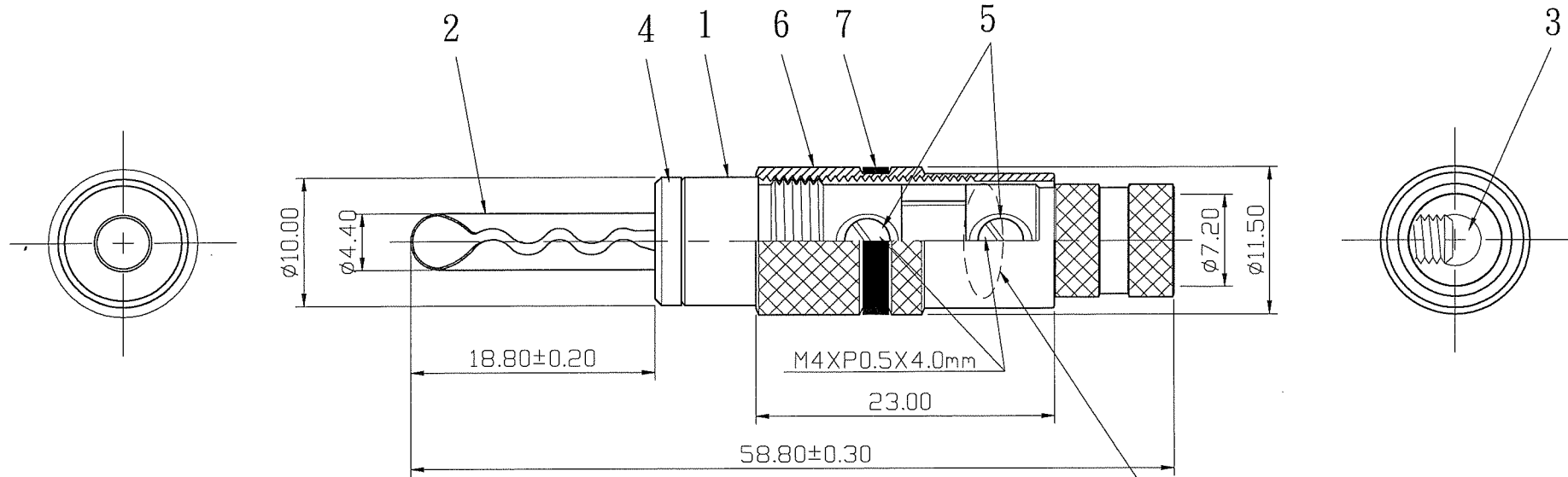


REMARK : RoHS REQUIREMENT APPLIED
(符合RoHS)

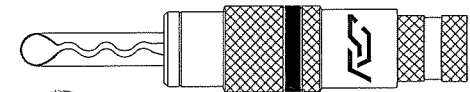


LOGO PAINTING : SILVER
THE ACTUAL DIRECTION AND POSITION OF THE LOGO, WHICH WILL NOT ALIGN WITH TOP AREA SAME AS THE DRAWING IMAGE.

FOR REFERENCE ONLY



僅供參考



S 1 : 1



NO.	Description	Unit	Materials	Finish	Drawing No.	SCALE	2 : 1	UNIT	MM	DATE	2023. 04. 19	FILE NO.	DRAWING\CUSTOMER\AEC-K998\K998-BP-304ZAG(PB)-RD/BK/WE-7.2
7	color ring	1	PVC	red/black/white	DIMENSIONS ARE IN MILLIMETERS UNLESS OTHERWISE SPECIFIED TOLERANCES (一般公差) 0.5~6 = ±0.2 >6~30 = ±0.4 >30~120 = ±0.6 >120~315 = ±1 >315~1000 = ±1.6 ANGLES(角度) = ±5°	CHECKED							
6	shell	1	brass	zinc alloy		DRAWN							
5	screw	2	brass	gold									
4	headlock	1	brass	gold									
3	pillar	1	brass	gold									
2	contact pin	1	phosphor bronze	gold									
1	body	1	brass	gold									
											TITLE	BANANA PLUG	
											DRAWING NO.	K998-BP-304ZAG(PB)-RD/BK/WE-7.2	
											CHECKED		
											DRAWN	Weilin	
											DATE	2023. 04. 19	
											TITLE	雅鈦企業有限公司 Aec Connectors Co., Ltd.	