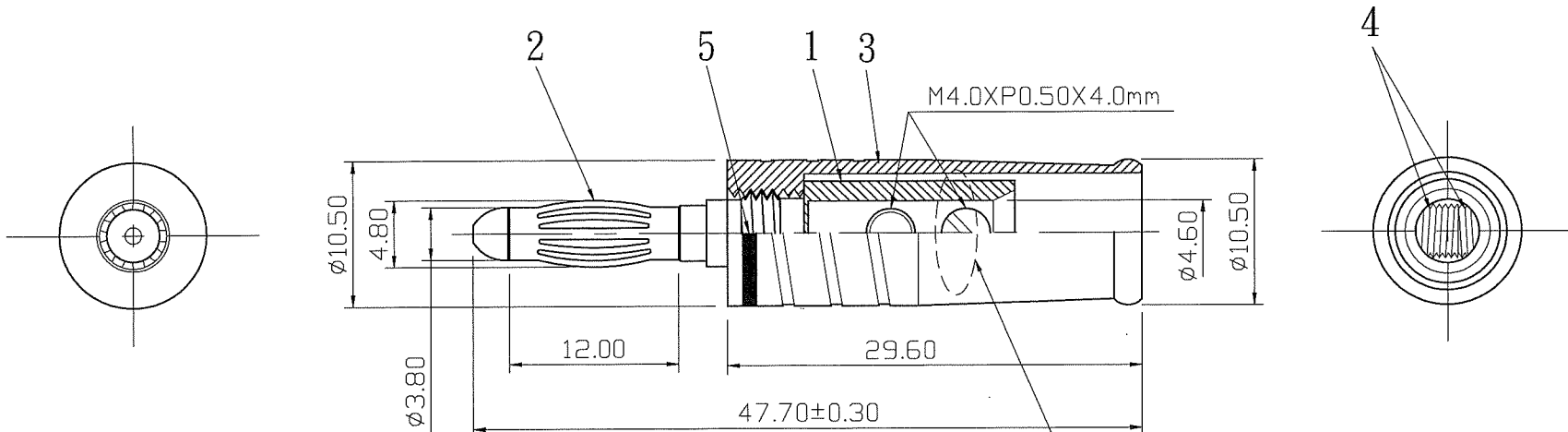
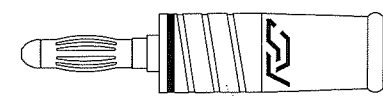


REMARK : RoHS REQUIREMENT APPLIED  
(符合RoHS)





LOGO PAINTING : SILVER  
THE ACTUAL DIRECTION AND POSITION OF THE LOGO, WHICH WILL NOT ALIGN WITH TOP AREA SAME AS THE DRAWING IMAGE.



S 1 : 1



NO.	Description	Unit	Materials	Finish	Drawing No.	SCALE	2 : 1	UNIT	MM	DATE	2023. 04. 19			
7						DIMENSIONS ARE IN MILLIMETERS UNLESS OTHERWISE PECIFIED TOLERANCES (一般公差) 0.5-6 = ±0.2 >6-30 = ±0.4 >30-120 = ±0.6 >120-315 = ±1 >315-1000 = ±1.6 ANGLES(角度) = ±5°			CHECKED  DRAWN <i>Weilin</i> DATE 2023. 04. 19			 雅鈦企業有限公司 Aec Connectors Co., Ltd. TITLE BANANA PLUG DRAWING NO. K998-BP-120ZAG(BeCu)-RD/WE/BK-4.6 FILE NO. DRAWING\CUSTOMER\AEC-K998K998-BP-120ZAG(BeCu)-RD/WE/BK-4.6		
6														
5	color ring	1	PVC	red/white/black										
4	screw	2	brass	gold										
3	shell	1	brass	zinc alloy										
2	contact	1	beryllium copper	gold										
1	body	1	brass	gold										