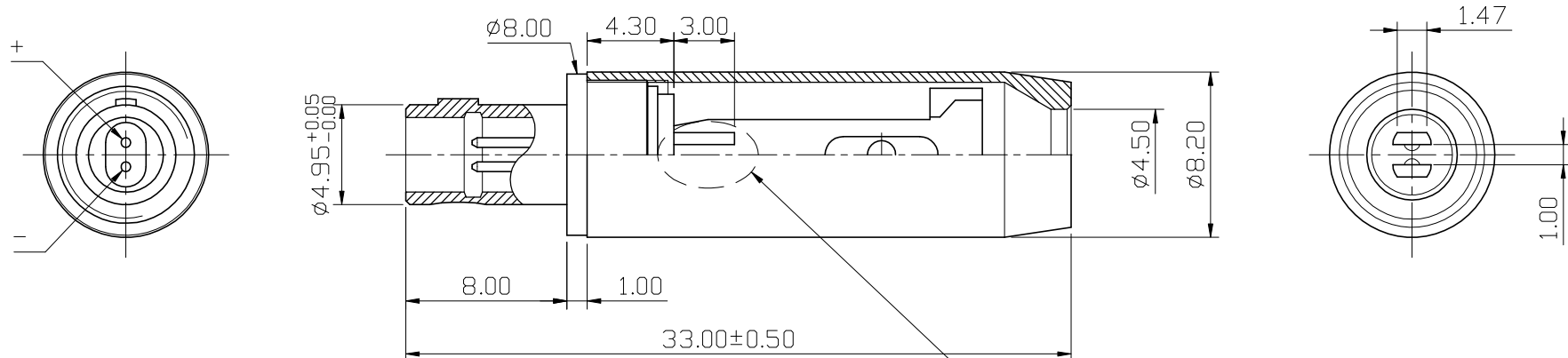


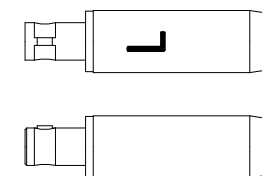
No.	DATE	DESCRIPTION	REV
△	2022. 02. 11	Drawing updated (圖面更新)	A

REMARK : RoHS REQUIREMENT APPLIED
(符合RoHS)




LOGO PAINTING : WHITE
THE ACTUAL DIRECTION AND POSITION OF THE LOGO, WHICH WILL NOT ALIGN WITH TOP AREA SAME AS THE DRAWING IMAGE.

L△R



S 1 : 1

NO.	Description	Unit	Materials	Finish	Drawing No.	SCALE	3 : 1	UNIT	MM	CHECKED	DATE	FILE NO.	
-						DIMENSIONS ARE IN MILLIMETERS							
6	shell	1	aluminum	matte black anodic treatment		UNLESS OTHRWISE PECIFIED TOLERANCES (一般公差)							
5	clip	1	brass	gold		0.5~6 = ±0.2							
4	ring	1	aluminum	matte black anodic treatment		>6~30 = ±0.4							
3	body	1	aluminum	matte black anodic treatment		>30~120 = ±0.6							
2	insulator	1	PEEK	brown		>120~315 = ±1							
1	contact pin	2	brass	gold		>315~1000 = ±1.6							
						ANGLES(角度) = ±5°							
											2019. 06. 20		
											 雅鈦企業有限公司 Aec Connectors Co., Ltd.		
											TITLE		2P IEM PLUG
											DRAWING NO.		IP-210AMBATG-PEEK-4.5-L/R
											FILE NO.		DRAWINGAUDIO\IP-210AMBATG-PEEK-4.5-LR