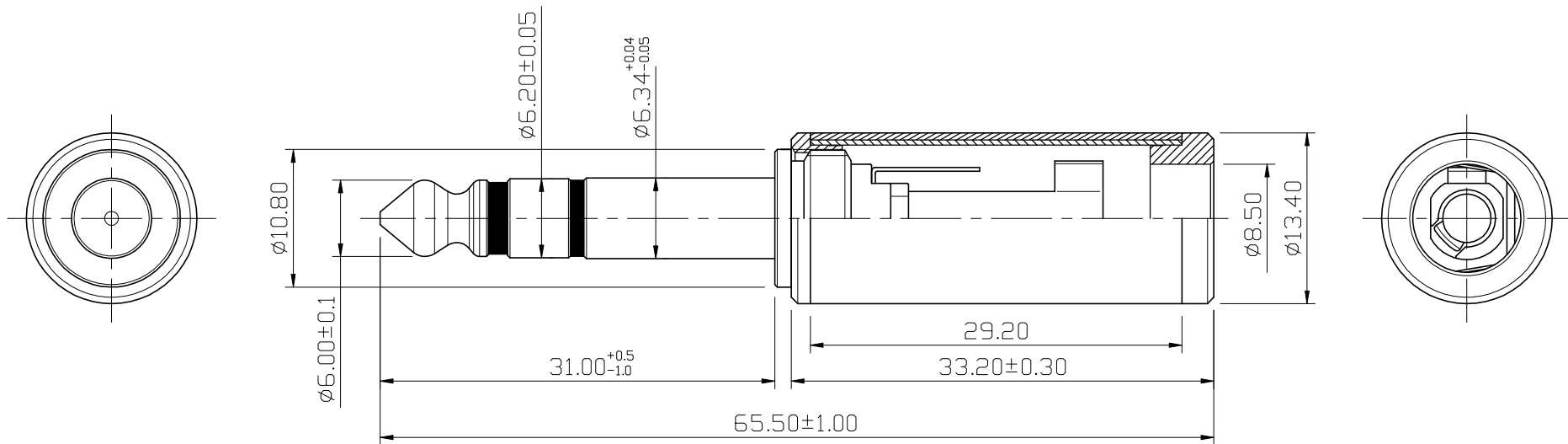
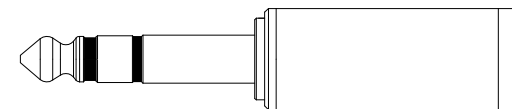


No.	DATE	DESCRIPTION	REV
-	2022. 01. 27	Drawing revised (圖面修正)	A



-	sleeve	1	brass	gold	
-	headlock	1	brass	gold	
-	shell	1	black carbon fiber	nature	
-	tube	1	brass	nature	
-	insulator	2	POM	black	
-	clip	1	brass	gold	
-	solder tab	1	brass	gold	
-	solder tab	1	brass	gold	
-	head lock	1	brass	gold	
-	body c	1	brass	gold	
-	body b	1	brass	nature	
-	body a	1	brass	gold	
-	insulator	2	POM	white	
-	contact pin	1	brass	gold	
-	contact pin	1	iron	gold	
NO.	Description	Unit	Materials	Finish	Drawing No.



S 1 : 1

DIMENSIONS ARE IN  
MILLIMETERS

UNLESS OTHERWISE SPECIFIED  
TOLERANCES  
(一般公差)  
0.5~6 = ±0.2  
>6~30 = ±0.4  
>30~120 = ±0.6  
>120~315 = ±1  
>315~1000 = ±1.6  
ANGLES(角度) = ±5°

CHECKED

DRAWN

Ada

DATE

2019. 11. 05



雅鈦企業有限公司  
Aec Connectors Co., Ltd.

TITLE

6.3MM STEREO TRS PLUG

DRAWING NO.

AP6.3-4042ABKFGG-Stereo-8.5

FILE NO. DRAWINGAUDIOVAP6.3-4042ABKFGG-Stereo-8.5

SCALE 2 : 1 UNIT MM