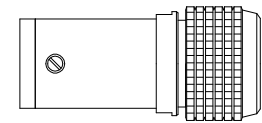
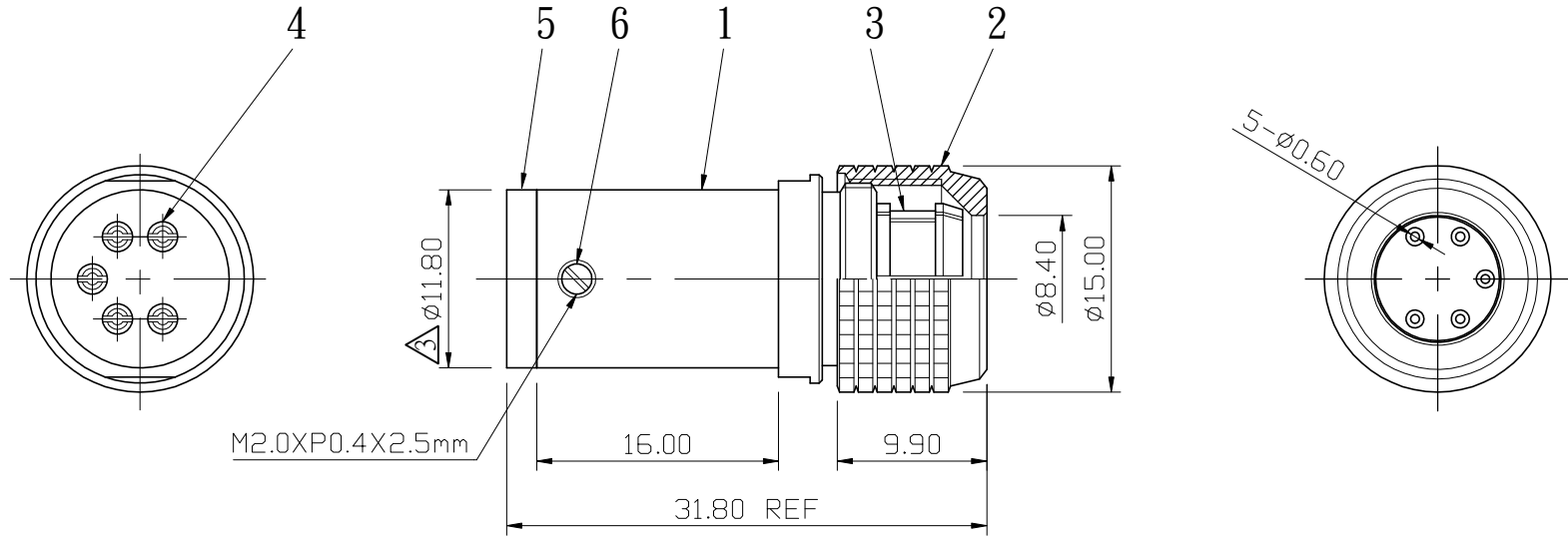



No.	DATE	DESCRIPTION	REV
△1	2015. 03. 26	Material changed 材質變更	E
△2	2015. 08. 17	Material revised 材質修正	F
△3	2019. 10. 17	Drawing updated 圖面更新	G



S 1 : 1

NO.	Description	Unit	Materials	Finish	Drawing No.	SCALE	UNIT	MM	DATE	CHECKED	TITLE		
7						DIMENSIONS ARE IN MILLIMETERS UNLESS OTHERWISE PECIFIED TOLERANCES (一般公差) 0.5~6 = ± 0.2 >6~30 = ± 0.4 >30~120 = ± 0.6 >120~315 = ± 1 >315~1000 = ± 1.6 ANGLES(角度) = $\pm 5^\circ$					 雅鈦企業有限公司 Aec Connectors Co., Ltd.		
6	screw	1	brass	gold									
5	insulator	1	PTFE	white									DRAWING NO.
4	contact pin	5	brass	gold									DJ-155sbCG-TEF-8.2
3	clip	1	phosphor bronze	gold									FILE NO.
2	cover	1	brass	sandblast chrome									DRAWINGAUDIODJNDJ-155sbCG-TEF-8.2
1	shell	1	brass	sandblast chrome									
						2 : 1			2010. 03. 02				