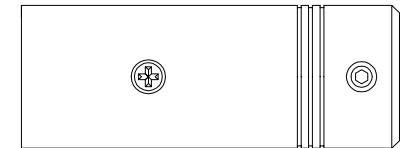
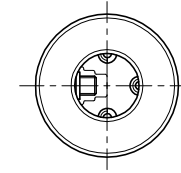
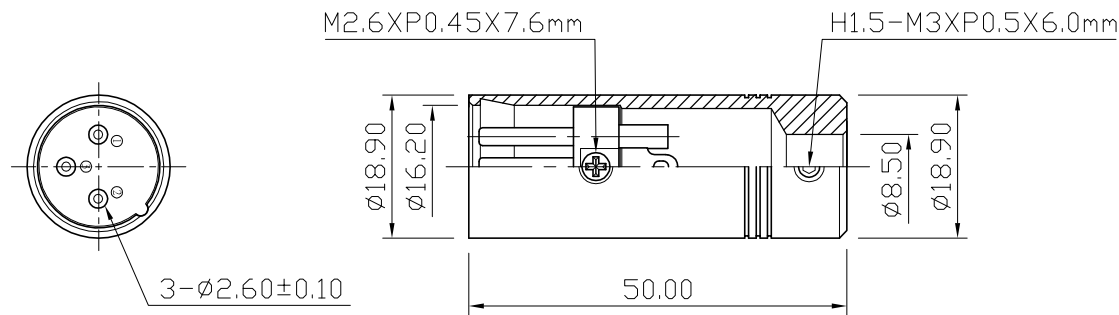



REMARK : RoHS REQUIREMENT APPLIED
(符合RoHS)



S 1 : 1

NOTE: 1. HOLLOW CONTACT PIN (中空型中心針)

-						DIMENSIONS ARE IN MILLIMETERS UNLESS OTHERWISE PECIFIED TOLERANCES (一般公差) 0.5~6 = ±0.2 >6~30 = ±0.4 >30~120 = ±0.6 >120~315 = ±1 >315~1000 = ±1.6 ANGLES(角度) = ±5°	CHECKED	 雅鈦企業有限公司 Aec Connectors Co., Ltd.	
-	screw	1	brass	nickel			DRAWN <i>Jim</i>		TITLE MICROPHONE CONNECTOR
-	screw	1	iron	nickel	SCREW-305N-M2.6XP0.45X7.6mm				DATE 2015. 09. 18
-	shell	1	aluminum	sandblast clear anodic treatment				FILE NO.	DRAWING\AUDIO\MI\MI-201MsbAT-3G(Tc)-8.5
-	solder tab	1	brass	gold					
-	contact pin	3	tellurium copper	gold					
-	body	1	PBT 30%fiber	gray					
NO.	Description	Unit	Materials	Finish	Drawing No.	SCALE	1 : 1	UNIT	MM