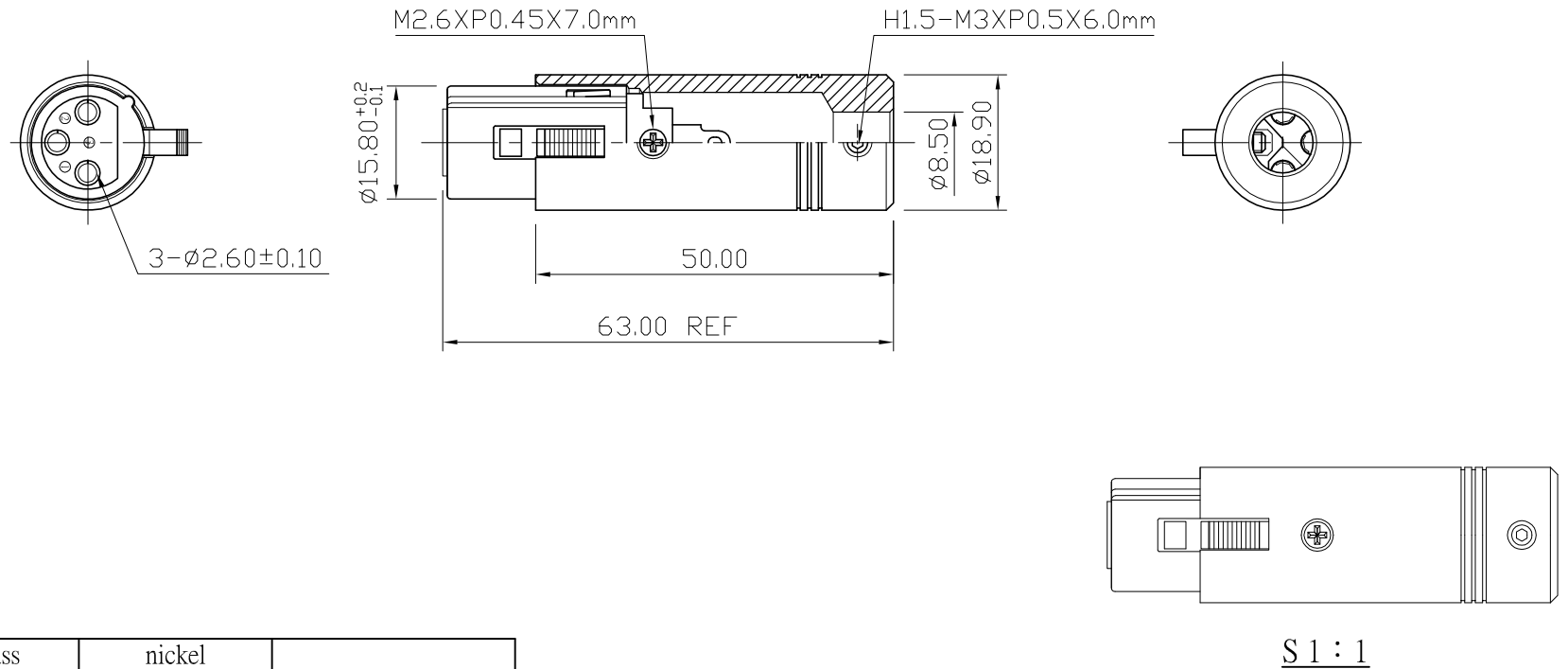


REMARK : RoHS REQUIREMENT APPLIED  
(符合RoHS)



-	screw	1	brass	nickel	
-	screw	1	iron	nickel	SCREW-305N-M2.6XP0.45X7.0mm
-	shell	1	aluminum	sandblast clear anodic treatment	
-	spring	1	stainless steel	nature	
-	solder tab	1	brass	gold	
-	button	1	zinc alloy	nickel	
-	sleeve	1	brass	nickel	
-	contact pin	3	phosphor bronze	gold	
-	body	1	PBT 30%fiber	gray	
NO.	Description	Unit	Materials	Finish	Drawing No.

DIMENSIONS ARE IN MILLIMETERS		
UNLESS OTHERWISE PECIFIED TOLERANCES (一般公差)		
0.5~6	= ±0.2	
>6~30	= ±0.4	
>30~120	= ±0.6	
>120~315	= ±1	
>315~1000	= ±1.6	
ANGLES(角度) = ±5°		
SCALE	1 : 1	
UNIT		MM

CHECKED	
DRAWN	Jim
DATE	2015. 09. 18

 <b>雅鈦企業有限公司</b> Aec Connectors Co., Ltd.	
TITLE MICROPHONE CONNECTOR	
DRAWING NO. MI-201FsbAT-3G(PB)-8.5	
FILE NO.	DRAWINGAUDIO\MIMI-201FsbAT-3G(PB)-8.5